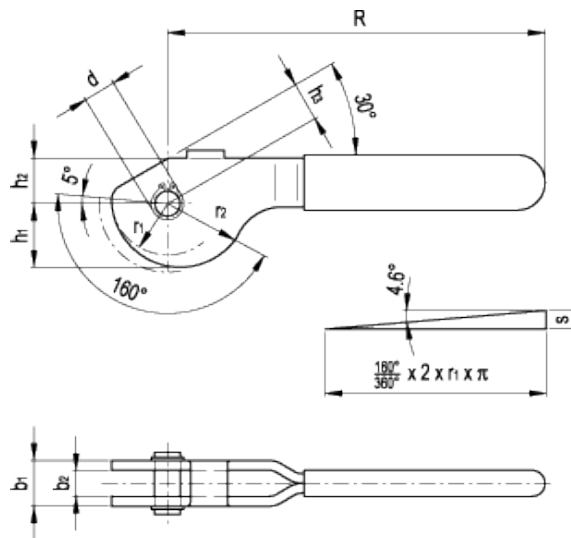


GN 917.1

Double cam levers



INOX
Stainless Steel



technical informations

Material

AISI 304 stainless steel, sandblasted matte finish.

King pin

Tempered AISI 420 stainless steel.

Circlip

AISI 301 stainless steel.

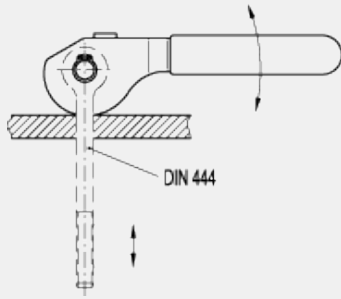
Plastic handle sleeve

Red colour, oil resistant. Max working temperature 60°C.

Features and applications

Double cam levers GN 917 are used for repositioning and clamping. The eccentric cam has the advantage that the clamping force remains constant in every position of its travel and in addition is self locking. The dimension b_2 is made to match the head size of swing bolts DIN 444 respectively.

Application example



Standard Elements	Main dimensions											Weight
Description	d	b ₁	b ₂	h ₁	h ₂	h ₃	R	r ₁	r ₂	s	r2 - h3	g
GN 917.1-8-13	8	13	9	19.54	14	12	114	17.2	21.07	3.87	9.07	86
GN 917.1-10-17	10	17	12	24.54	17	17	138	21.6	26.45	4.85	11.45	165
GN 917.1-12-20	12	20	14	31.81	21	21	157	28	34.29	6.29	16.29	272



STANDARD MACHINE ELEMENTS WORLDWIDE